

General information:

Type of module:	Monocrystalline PV module
Front cover:	Strengthened patterned 3.2 mm glass
Filler:	EVA
Type of cells:	Monocrystalline
Number of cells:	72
Frame:	39.5 mm clear anodised aluminium
Connection box:	TYCO IP65 connection, with rectifier diode
Wire:	1-1 m long, 4 mm ² solar cable, with TYCO SOLARLOK terminals

Electrical information:

Type:	KS-180
Tolerance (%):	+/- 5
Peak power (Wp):	180
MPP voltage (V):	36
MPP current (A):	5
Open-circuit voltage (V):	43,2
Short-circuit current (A):	5,6
Operating temperature (°C):	- 40 - +85
Maximum system voltage (V):	1000
Conversion efficiency (%):	14,05

Standard test conditions: air mass AM 1,5 – irradiation: 1000 W/m² – cell Temp.: 25 °C

Temperature coefficients:

Voc:	-0,348 %/K
Isc:	0,031 %/K
Pmax:	-0,46 %/K

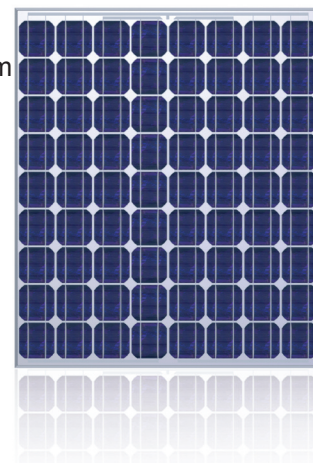
Mechanical information:

Module dimensions:	1224 x 1047 x 39.5 mm
Module surface area:	1,281 m ²
Weight:	15 kg

Warranty conditions:

Material and workmanship:	5 years
Output power 90%:	10 years
Output power 80%:	25 years

Qualifications and certifications:



CE IP65



SAFETY CLASS II



MANUFACTURER CERTIFIED ACCORDING TO ISO 9001:2000

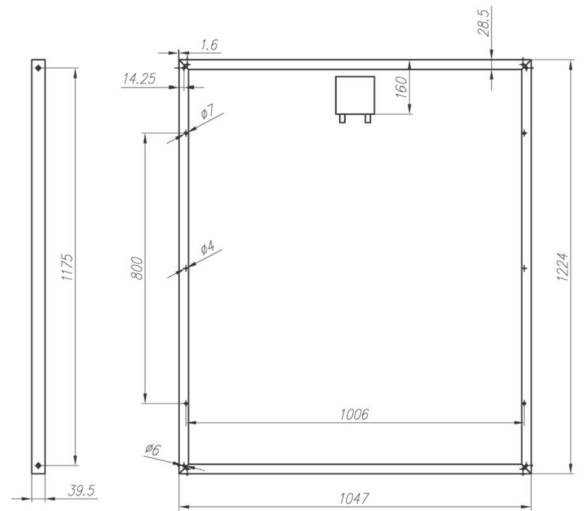
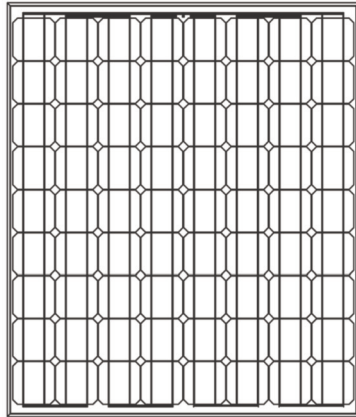


IEC 61215 ED.2 and IEC 61730

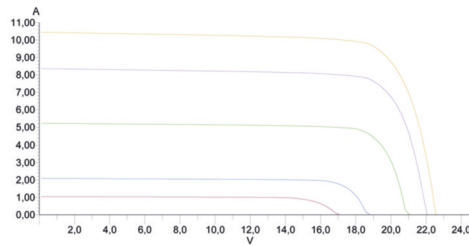
Due to our policy of continual improvement the products covered by this brochure may be changed without notice.



Korax Gépgyár Kft. - Solar Module Division
 2300 Ráckeve, Sillingi út 30. Hungary, Tel.: +36 24 485 402 Fax.: +36 24 485 603
 www.koraxsolar.com, www.korax.hu, email: mail@koraxsolar.com

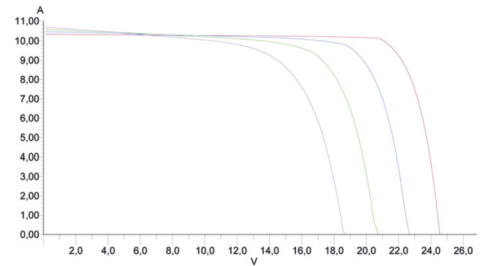


U-I-Characteristic Curve at 25 °C



- U-I-Characteristic Curve 100 W/m²
- U-I-Characteristic Curve 200 W/m²
- U-I-Characteristic Curve 500 W/m²
- U-I-Characteristic Curve 800 W/m²
- U-I-Characteristic Curve 1000 W/m²

U-I-Characteristic Curve at 1000 W/m²



- U-I-Characteristic Curve 0 °C
- U-I-Characteristic Curve 25 °C
- U-I-Characteristic Curve 50 °C
- U-I-Characteristic Curve 75 °C

